



Datamatrix Readers
October 2018

Tiama Datamatrix Readers

Traceability



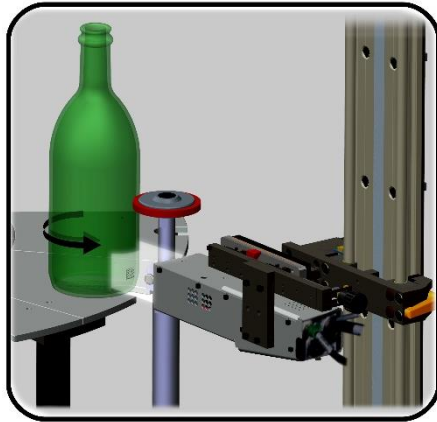
Every second matters...Management of your production has been pushed further with Datamatrix code.

You know where and when the article is in your plant thanks to multi reading points.

Each code is unique, and thanks to the Tiama Datamatrix Readers you can access every article story through different ways.

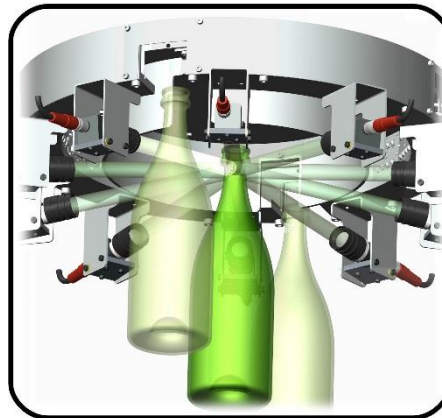
CDR

Carousel Datamatrix Reader



TDR

Top Datamatrix Reader



Smartphone App



CDR : Carousel Datamatrix Reader

Traceability



With CDR, rejection of defects has never been so precise.

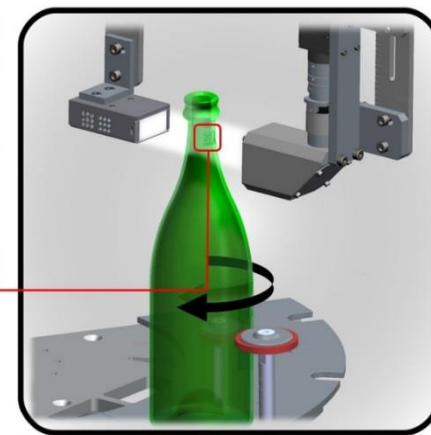
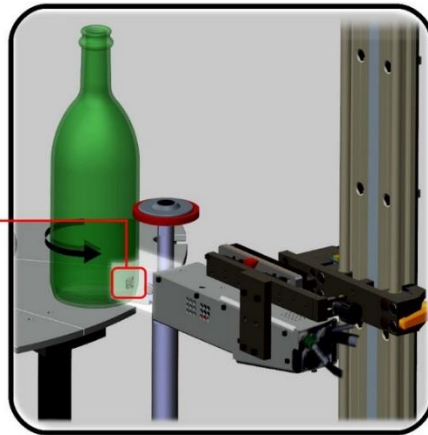
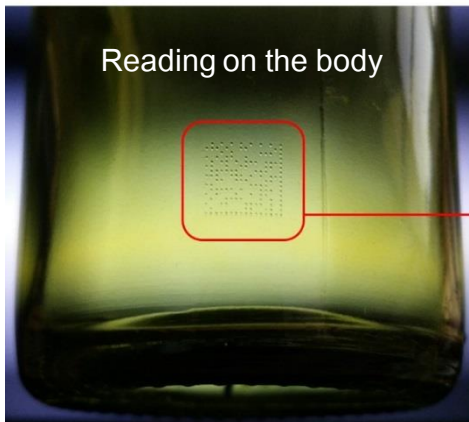
You can program multi rejection based on:

- Mold number
- Section/cavity
- Date
- Time stamp



Technical specifications:

- High speed rotating reading : up to 600bpm
- Association of mold number with defects
- Rejection programmed
- Works with all the Tiama Carousel machines



TDR : Top Datamatrix Reader

Traceability



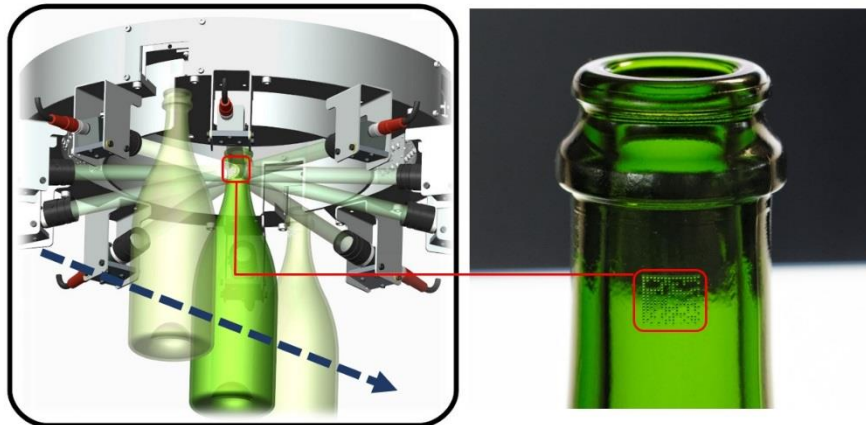
As every article is unique, you can track the production beyond the glass plant...

TDR is a device allowing datamatrix reading on line.

You can install it in the glass plant or in the filling plant.

Technical specifications:

- On line reading: no contact with articles
- Association of mold number with defects in MCAL4 and MULTI4
- Up to 50000bph for filling plants

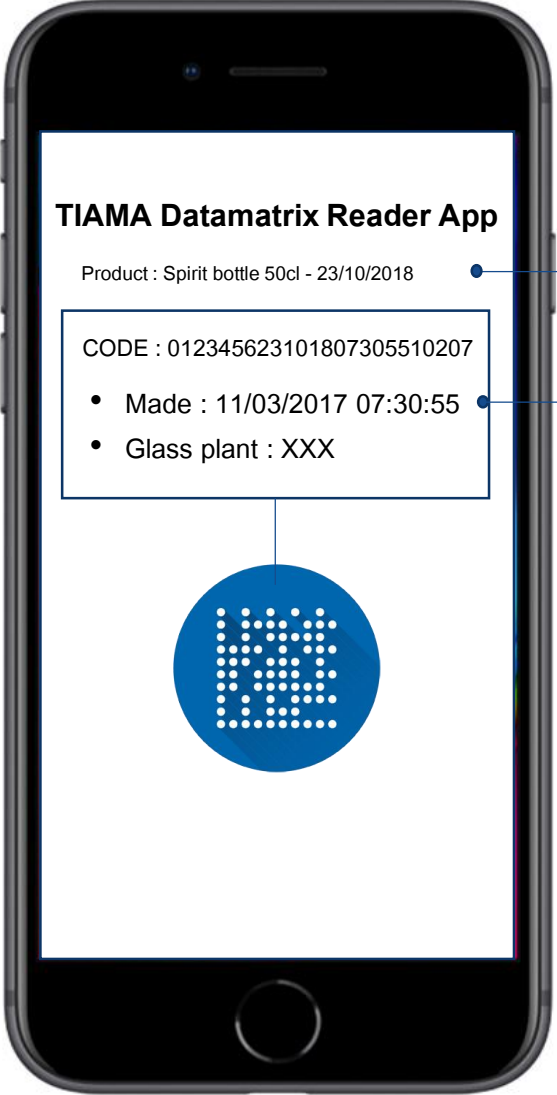


- Standalone or associated to TIAMA Vision machines

Smartphone App

Traceability

Reading the DNA of a glass article has never been as simple as that: use your smartphone to learn more about your production.



You can save your reading by name and date

Encoded informations, it tells you where and when the bottle has been made